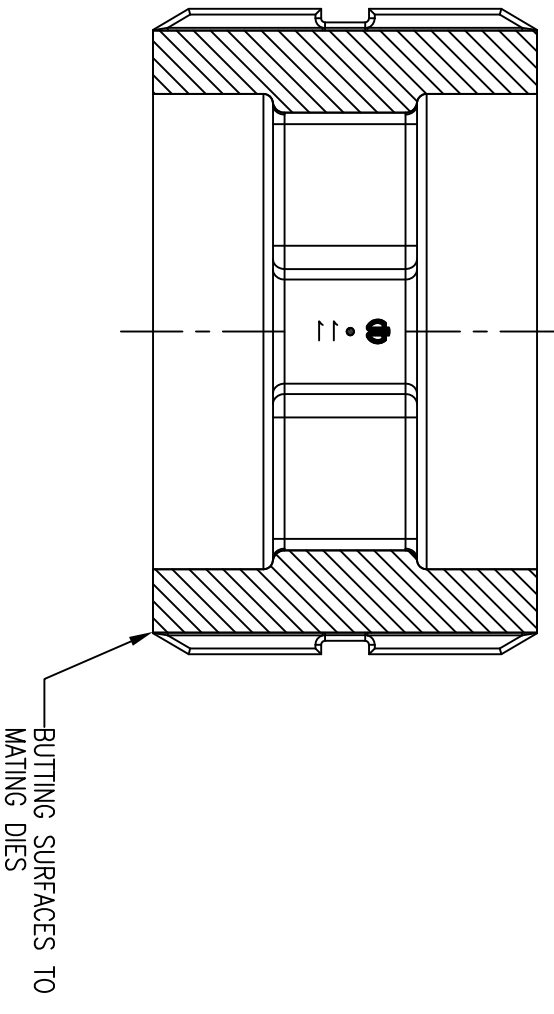
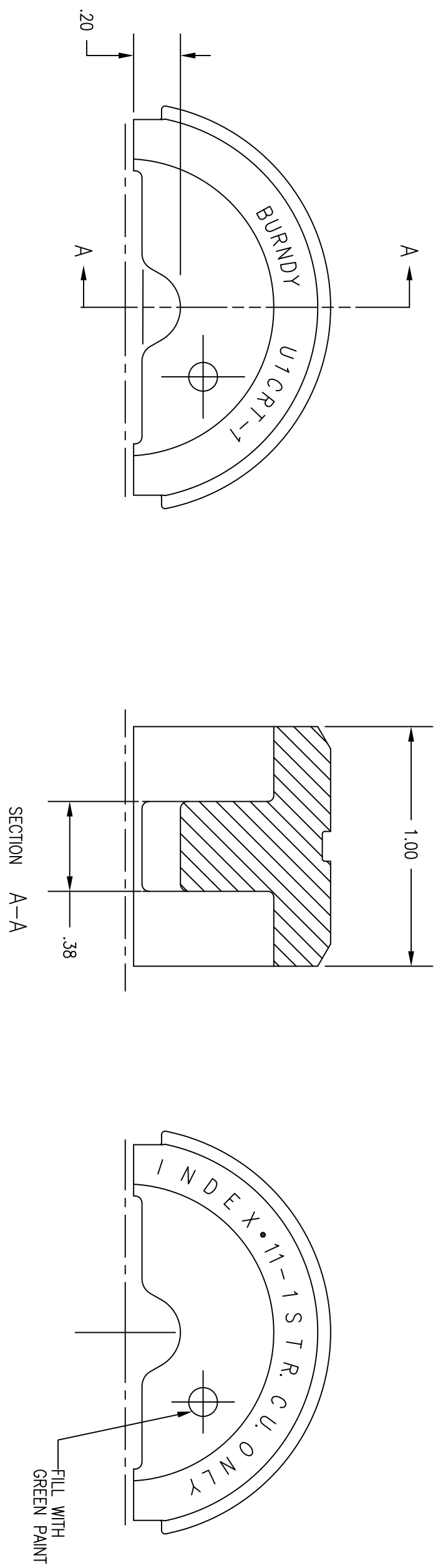


CATALOG NUMBER	DESCRIPTION
HU1CRT	DIE SET, W, 1AWG, 11 INDX, CRT



- NOTES:
1. KIT CONTAINS ONE DIE SET.
  2. MATERIAL: STAINLESS STEEL
  3. SPECIFICATIONS SUBJECT TO CHANGE WITHOUT NOTICE.

REV.	ECN	DATE	DESCRIPTION	CHG BY	APPD BY
1	18024	12/10/12	INITIAL RELEASE	MMA	

Created on AUTOCAD		<p>DIMENSIONING AND TOLERANCE PER ANSI Y14.5M-1982 UNLESS OTHERWISE SPECIFIED, DIMENSIONS ARE IN INCHES (MM).</p> <p>TOLERANCES .XX = ±.01 (.25) .XXX = ±.005 (.127) .XXXX = ±.0025 (.0635) ANGLE TOL ±1°</p>	
<p>PROJECT REFERENCE: <b>2011-041</b></p>		<p>MATERIAL: SEE NOTES</p>	
<p>DRAWN BY: M. ABBY 12/05/12</p>		<p>TITLE: DIE SET, 1 AWG, 11 INDEX U DIE SET FAMILY</p>	
<p>CHECKED BY:</p>		<p>SCALE: N/A</p>	
<p>APPROVED BY:</p>		<p>DRAWING NO. <b>HW514206C</b></p>	
<p>IN ACCEPTING OUR DRAWINGS, BLUEPRINTS, OR SUPPORTING DOCUMENTATION FOR QUOTATION OR OTHER PURPOSES, YOU AGREE NOT TO DISCLOSE TO OTHERS THE IDEAS, INFORMATION, OR DESIGNS SHOWN HEREIN, AND THAT YOU WILL MAKE NO USE OF SAME WITHOUT PERMISSION</p>		<p>Hubbell <b>Hubbell Premise Wiring</b> HUBBELL INCORPORATED (Delaware) 23 CLARA DRIVE, SUITE 103 MYSTIC, CT 06355</p>	
		<p>SIZE: C</p>	
		<p>SHEET 1 OF 1</p>	
		<p>REV. <b>1</b></p>	